

## DESCRIPTION

### BLOWER:

- Plug-in, permanently lubricated motor - engineered for continuous operation
- Dynamically balanced centrifugal blower wheel for quiet, efficient performance
- Maintains a high percentage of rated CFM in less than ideal installations
- Low RPM for quiet operation
- Resilient anti-vibration motor mounts (QTXEN150FLT only)

### HOUSING:

- Rugged, 26 gauge, galvanized steel construction
- 6" round ducting for superior performance
- Polymeric duct connector with tapered sleeve and no metallic clatter
- 7-5/8" height allows for 2" x 8" (nominal) joist installations
- Sturdy, easy, four-point mounting directly to joist
- Includes unique spacer (patent pending) for mounting to engineered "I" joists
- Includes hanger bars to position housing anywhere between 16" to 24"-on-center joists
- Two sets of mounting holes for hanger bars allow flush installation with bottom or top of drywall
- Can be mounted in ceilings up to 12/12 pitch

### GRILLE:

- Polymeric construction
- Innovative design - the result of extensive research with designers and consumers
- Energy efficient lighting - uses (2) 18W (max.) high efficiency, GU24 based, fluorescent lamps (included) and 4W night light (not included)
- Durable steel reflector with white enamel finish

### CONTROLS (Purchase separately):

- Refer to NuTone's catalog for a complete line of accessories to effectively adapt these fans to your construction requirements.

U.L. Listed for use over bathtubs and showers when connected to a GFCI protected branch circuit (ceiling mount only).

U.L. Listed for use in insulated ceilings (TYPE I.C.)

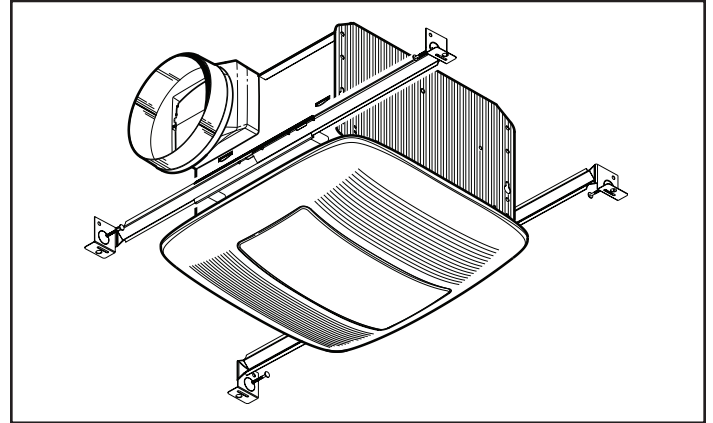
California Title 24 compliant.

3-Year Warranty



# QTXEN Series Fan/Light/Night Lights

**MODELS QTXEN080FLT,  
QTXEN110FLT, QTXEN150FLT**



## ARCHITECT'S SPECIFICATION

- Ceiling Ventilator shall be NuTone Model QTXEN080FLT (QTXEN110FLT) (QTXEN150FLT).
- Ceiling Ventilator shall have corrosion resistant galvanized steel housing with four-point mounting capability. It shall be ducted to a roof or wall cap using 6" round ductwork.
- Blower assembly shall be removable, have a centrifugal-type blower wheel and a permanently lubricated motor designed for continuous operation.
- Non-metallic damper/duct connector shall be included.
- Lamps shall be (2) 18W (max.) high efficiency, GU24 based fluorescents with separate 4W night light.
- Air delivery shall be no less than 80 (110) (150) CFM and sound level no greater than 0.3 (0.7) (1.4) Sones. All air and sound ratings shall be certified by HVI.
- Ceiling ventilator shall be Energy Star® qualified and have an energy efficient permanent split capacitor motor.
- Ceiling Ventilator shall be U.L. Listed for use in insulated ceilings (Type I.C.) and for use over bathtubs and showers when connected to a GFCI protected branch circuit.

## INSTALLATION

Complete installation instructions are included with each Fan / Light / Night Light.

Broan-NuTone LLC Hartford, Wisconsin www.nutone.com 888-336-3948

REFERENCE	QTY.	REMARKS	Project
			Location
			Architect
			Engineer
			Contractor
			Submitted by Date

# PERFORMANCE RATINGS

## QTXEN SERIES FAN / LIGHT / NIGHT LIGHTS

### HVI PERFORMANCE

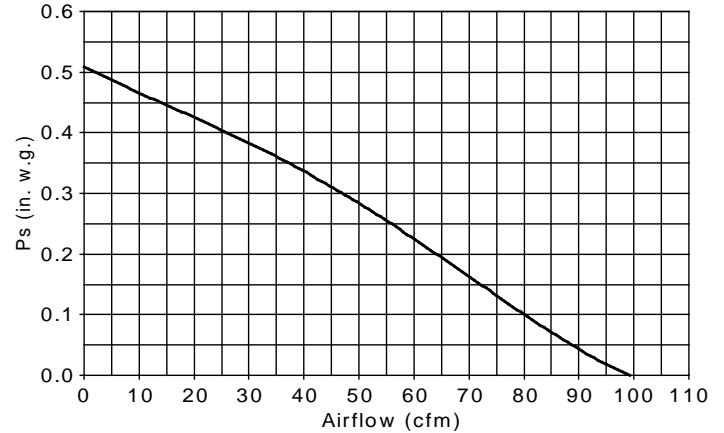
Model	Static Pressure (Ps)	CFM	Sones	Fan Watts
QTXEN080FLT	0.10	80	0.3	23.3
	0.25	55		
QTXEN110FLT	0.10	110	0.7	33.5
	0.25	90		
QTXEN150FLT	0.10	150	1.4	51.3
	0.25	137		



HVI-2100 CERTIFIED RATINGS comply with new testing technologies and procedures prescribed by the Home Ventilating Institute, for off-the-shelf products, as they are available to consumers. Product performance is rated at 0.1 in. static pressure, based on tests conducted in a state-of-the-art test laboratory. Sones are a measure of humanly-perceived loudness, based on laboratory measurements.

### AIR FLOW PERFORMANCE

MODEL QTXEN080FLT



### AMPS

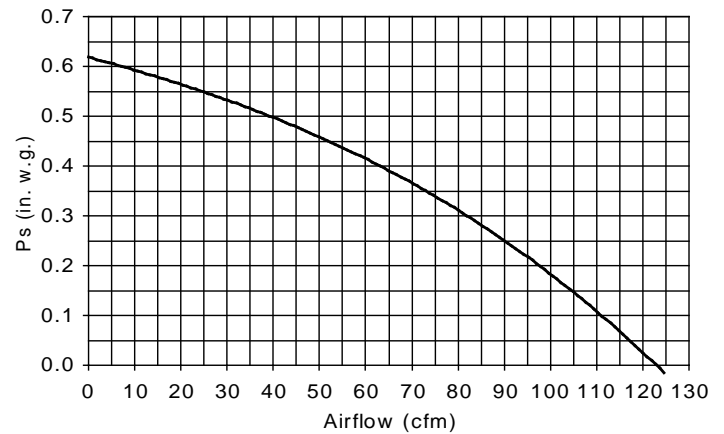
Model	Amps*
QTXEN080FLT	0.8
QTXEN110FLT	1.0
QTXEN150FLT	1.0

\* Total connected load

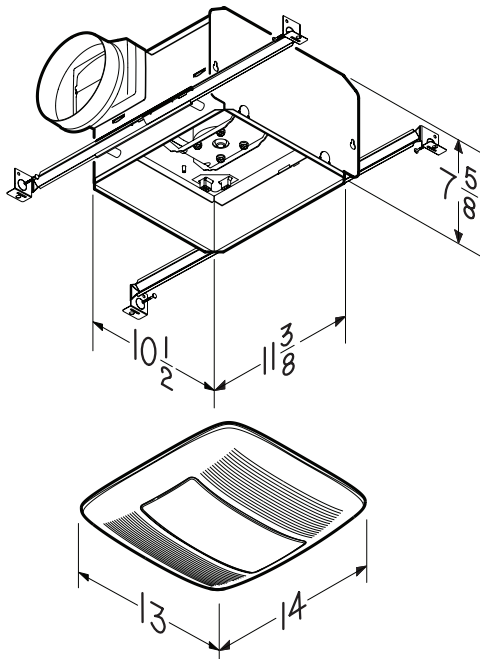
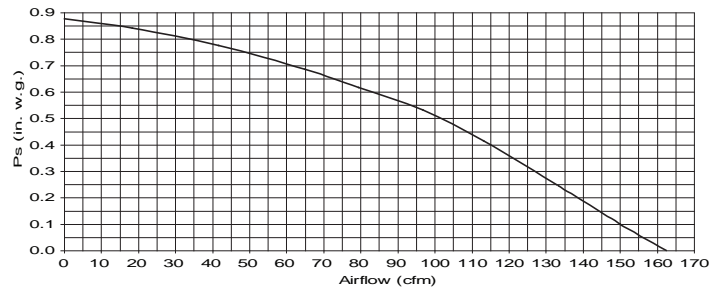
### WEIGHT

Model	Shipping Weight
QTXEN080FLT	14.2 lbs.
QTXEN110FLT	14.8 lbs.
QTXEN150FLT	16.2 lbs.

MODEL QTXEN110FLT



MODEL QTXEN150FLT



# NuTone®

Broan-NuTone LLC Hartford, Wisconsin www.nutone.com 888-336-3948